

# Product Catalog

Since 1985 » Simple. Predictable. Profitable.



## IMPLANTS



3.0mm Well

Integra-CP™

PART NO.	DIAMETER	LENGTH
345-306	4.5mm	6.0mm
345-308	4.5mm	8.0mm
345-311	4.5mm	11.0mm
350-305	5.0mm	5.0mm
350-306	5.0mm	6.0mm
350-308	5.0mm	8.0mm
350-311	5.0mm	11.0mm
360-305	6.0mm	5.0mm
360-357	6.0mm	5.7mm
360-108	6.0mm	8.0mm



3.0mm Well

Integra-Ti™

PART NO.	DIAMETER	LENGTH
145-306	4.5mm	6.0mm
145-308	4.5mm	8.0mm
145-311	4.5mm	11.0mm
150-306	5.0mm	6.0mm
150-308	5.0mm	8.0mm
150-311	5.0mm	11.0mm
160-357	6.0mm	5.7mm



2.5mm Well

Integra-CP™

PART NO.	DIAMETER	LENGTH
340-255	4.0mm	5.0mm
340-258	4.0mm	8.0mm
340-251	4.0mm	11.0mm
345-258	4.5mm	8.0mm
345-251	4.5mm	11.0mm



2.5mm Well

Integra-Ti™

PART NO.	DIAMETER	LENGTH
140-258	4.0mm	8.0mm
140-251	4.0mm	11.0mm
145-258	4.5mm	8.0mm
145-251	4.5mm	11.0mm



2.0mm Well

Integra-CP™

PART NO.	DIAMETER	LENGTH
330-208	3.0mm	8.0mm
335-008	3.5mm	8.0mm
335-011	3.5mm	11.0mm
340-008	4.0mm	8.0mm
340-011	4.0mm	11.0mm

## IMPLANTS



2.0mm Well

Integra-Ti™

PART NO.	DIAMETER	LENGTH
135-008	3.5mm	8.0mm
135-011	3.5mm	11.0mm
140-008	4.0mm	8.0mm
140-011	4.0mm	11.0mm

## HEALING PLUG INSERTERS



PART NO.	DIAMETER
100-002	2.0mm
100-025	2.5mm
100-001	3.0mm

## IMPRESSION COMPONENTS



3.0mm Post



Impression Post  
Titanium

Impression Sleeve  
Plastic

Implant Analog  
Titanium

PART NO.	DESCRIPTION
100-433	Impression Post and Sleeve*
100-434	Implant Level Impression Kit**
100-435	Impression Sleeve (4)
100-388	Implant Analog (2)



2.5mm Post



Impression Post  
Titanium

Impression Sleeve  
Plastic

Implant Analog  
Titanium

PART NO.	DESCRIPTION
100-413	Impression Post and Sleeve*
100-414	Implant Level Impression Kit**
100-415	Impression Sleeve (4)
100-288	Implant Analog (2)



2.0mm Post



Impression Post  
Titanium

Impression Sleeve  
Plastic

Implant Analog  
Titanium

PART NO.	DESCRIPTION
100-423	Impression Post and Sleeve*
100-424	Implant Level Impression Kit**
100-425	Impression Sleeve (4)
100-188	Implant Analog (2)

\* Contains two titanium impression posts and two plastic impression sleeves.

\*\* Contains one titanium impression post, two plastic impression sleeves and one titanium analog.

## COLLAGEN PRODUCTS



PART NO.	DESCRIPTION
509-600	15 x 20mm Membrane
509-300	20 x 30mm Membrane
509-800	30 x 40mm Membrane



509-400 Collagen Plug (10)

## SYNTHOGRAFT™



PART NO.	DESC.	PARTICLE SIZE	TOTAL GRAMS	VIALS
400-125	0.25g	Small	1.25g	5
400-150	0.5g	Small	2.5g	5
400-151	1.0g	Small	5.0g	5
400-152	2.0g	Small	10.0g	5
400-525	0.25g	Large	1.25g	5
400-500	0.5g	Large	2.5g	5
400-501	1.0g	Large	5.0g	5
400-502	2.0g	Large	10.0g	5

## HEALING ABUTMENTS



2.0mm Post

PART NO.	DIAMETER	HEIGHT
240-500	4.0mm	5.0mm
240-800	4.0mm	8.0mm
250-500	5.0mm	5.0mm
250-800	5.0mm	8.0mm



2.5mm Post

240-525	4.0mm	5.0mm
250-525	5.0mm	5.0mm



3.0mm Post

350-500	5.0mm	5.0mm
350-800	5.0mm	8.0mm
365-500	6.5mm	5.0mm
365-800	6.5mm	8.0mm
375-500	7.5mm	5.0mm

## TRANSITIONAL HEALING ABUTMENTS\*



2.5mm Post

PART NO.	DIAMETER	HEIGHT
250-201	5.0mm	2.0mm
250-211	5.0mm	3.0mm
250-221	5.0mm	4.0mm
250-241	5.0mm	6.0mm

\*Each abutment is packaged with one 5.0mm stealth abutment sleeve.

## SINUS LIFT TEMPORARY ABUTMENTS



6.5 x 2.5



7.0 x 2.5

3.0mm Post

365-503	6.5mm	2.5mm
370-503	7.0mm	2.5mm



6.0 x 2.5

2.5mm Post

260-503	6.0mm	2.5mm
---------	-------	-------

## TEMPORARY ABUTMENTS (Ti)



2.0mm Post

135-245	3.5mm	4.5mm
135-265	3.5mm	6.5mm
140-245	4.0mm	4.5mm
140-265	4.0mm	6.5mm
150-245	5.0mm	4.5mm
150-265	5.0mm	6.5mm



2.5mm Post

240-545	4.0mm	4.5mm
240-565	4.0mm	6.5mm
250-545	5.0mm	4.5mm
250-565	5.0mm	6.5mm



3.0mm Post

340-345	4.0mm	4.5mm
340-365	4.0mm	6.5mm
350-345	5.0mm	4.5mm
350-365	5.0mm	6.5mm
365-345	6.5mm	4.5mm
365-365	6.5mm	6.5mm

## TEMPORARY ABUTMENTS EXTENDED POST



2.5mm Post

PART NO.	DIAMETER	HEIGHT
240-510	4.0mm	3.0mm
240-520	4.0mm	4.0mm
250-510	5.0mm	3.0mm
250-520	5.0mm	4.0mm
250-540	5.0mm	6.0mm



3.0mm Post

350-510	5.0mm	3.0mm
350-520	5.0mm	4.0mm
350-540	5.0mm	6.0mm
365-510	6.5mm	3.0mm
365-520	6.5mm	4.0mm

## EMERGENCY CUFFS FOR NON-SHOULDERED ABUTMENTS (4)



4.0mm



5.0mm



6.5mm

PART NO.	DIAMETER
140-010	4.0mm
150-010	5.0mm
165-065	6.5mm

## NON-SHOULDERED ABUTMENTS



2.0mm Post

PART NO.	DIAMETER	HEIGHT	ANGLE
135-001	3.5mm	6.5mm	0°
135-015	3.5mm	6.5mm	15°
140-002	4.0mm	6.5mm	0°
140-015	4.0mm	6.5mm	15°
140-025	4.0mm	6.5mm	25°
140-101	4.0mm	10.0mm	0°
140-115	4.0mm	10.0mm	15°
150-050	5.0mm	5.0mm	0°
150-055	5.0mm	5.0mm	15°
150-001	5.0mm	6.5mm	0°
150-015	5.0mm	6.5mm	15°
150-025	5.0mm	6.5mm	25°
150-201	5.0mm	12.0mm	0°
150-215	5.0mm	12.0mm	15°

## NON-SHOULDERED ABUTMENTS



2.5mm Post

PART NO.	DIAMETER	HEIGHT	ANGLE
240-001	4.0mm	6.5mm	0°
240-015	4.0mm	6.5mm	15°
240-025	4.0mm	6.5mm	25°
240-101	4.0mm	10.0mm	0°
240-115	4.0mm	10.0mm	15°
250-001	5.0mm	6.5mm	0°
250-015	5.0mm	6.5mm	15°
250-025	5.0mm	6.5mm	25°
250-111	5.0mm	10.0mm	0°
250-115	5.0mm	10.0mm	15°
265-050	6.5mm	5.0mm	0°
265-055	6.5mm	5.0mm	15°



3.0mm Post

340-001	4.0mm	6.5mm	0°
340-015	4.0mm	6.5mm	15°
340-101	4.0mm	10.0mm	0°
340-115	4.0mm	10.0mm	15°
350-050	5.0mm	5.0mm	0°
350-055	5.0mm	5.0mm	15°
350-001	5.0mm	6.5mm	0°
350-015	5.0mm	6.5mm	15°
350-025	5.0mm	6.5mm	25°
350-101	5.0mm	10.0mm	0°
350-115	5.0mm	10.0mm	15°
350-201	5.0mm	12.0mm	0°
350-215	5.0mm	12.0mm	15°
365-050	6.5mm	5.0mm	0°
365-055	6.5mm	5.0mm	15°
365-001	6.5mm	6.5mm	0°
365-015	6.5mm	6.5mm	15°
375-801	7.5mm	8.0mm	0°
375-815	7.5mm	8.0mm	15°



EXTENDED  
3.0mm Post

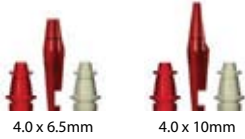
350-150	5.0mm	6.5 x 4.0mm	0°
350-155	5.0mm	6.5 x 4.0mm	15°
350-350	5.0mm	6.5 x 5.5mm	0°
350-355	5.0mm	6.5 x 5.5mm	15°

## NON-SHOULDERED ABUTMENT PROSTHETIC COMPONENTS

### Restorative and Laboratory Kits\*



PART NO.	DIAMETER	LENGTH
135-465	3.5mm	6.5mm



PART NO.	DIAMETER	LENGTH
140-465	4.0mm	6.5mm
140-410	4.0mm	10.0mm



PART NO.	DIAMETER	LENGTH
150-450	5.0mm	5.0mm
150-465	5.0mm	6.5mm
150-410	5.0mm	10.0mm
150-412	5.0mm	12.0mm



PART NO.	DIAMETER	LENGTH
165-450	6.5mm	5.0mm
165-465	6.5mm	6.5mm



PART NO.	DIAMETER	LENGTH
175-480	7.5mm	8.0mm

\*Each kit contains (1) transfer die, (1) impression/waxing sleeve, and (1) temporization sleeve.

### Temporization Sleeves (2)



PART NO.	DIAMETER
135-165	3.5mm
140-165	4.0mm
150-165	5.0mm
165-165	6.5mm
175-165	7.5mm

## STEALTH SHOULDERED ABUTMENTS\*



2.0mm Post

PART NO.	DIAMETER	HEIGHT	ANGLE
200-150	3.5mm	1.5mm	0°
200-200	4.0mm	1.5mm	0°
200-400	4.0mm	3.5mm	0°
200-201	5.0mm	2.0mm	0°
200-202	5.0mm	2.0mm	10°
200-221	5.0mm	4.0mm	0°
200-222	5.0mm	4.0mm	10°
200-241	5.0mm	6.0mm	0°
200-242	5.0mm	6.0mm	10°



2.5mm Post

250-300	4.0mm	1.5mm	0°
250-400	4.0mm	3.5mm	0°
250-301	5.0mm	2.0mm	0°
250-302	5.0mm	2.0mm	10°
250-311	5.0mm	3.0mm	0°
250-312	5.0mm	3.0mm	10°
250-321	5.0mm	4.0mm	0°
250-322	5.0mm	4.0mm	10°
250-341	5.0mm	6.0mm	0°
250-342	5.0mm	6.0mm	10°



3.0mm Post

300-300	4.0mm	1.5mm	0°
300-400	4.0mm	3.5mm	0°
300-301	5.0mm	2.0mm	0°
300-302	5.0mm	2.0mm	10°
300-311	5.0mm	3.0mm	0°
300-312	5.0mm	3.0mm	10°
300-321	5.0mm	4.0mm	0°
300-322	5.0mm	4.0mm	10°
300-341	5.0mm	6.0mm	0°
300-342	5.0mm	6.0mm	10°
300-361	5.0mm	8.0mm	0°
300-601	6.5mm	2.0mm	0°
300-602	6.5mm	2.0mm	10°
300-621	6.5mm	4.0mm	0°
300-622	6.5mm	4.0mm	10°

\*Each abutment is packaged with two corresponding stealth sleeves.

## STEALTH SHOULDERED ABUTMENT PROSTHETIC COMPONENTS

### Stealth Abutment Sleeves (4)



PART NO.	DIAMETER
250-204	4.0mm
250-205	5.0mm
250-206	6.5mm



250-004	4.0mm Short
250-005	5.0mm Short
250-006	6.5mm Short



250-103	3.5mm Tall
250-104	4.0mm Tall
250-105	5.0mm Tall
250-106	6.5mm Tall

### Stealth Abutment Transfer Dies (2)

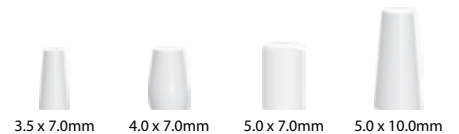
BRASS



PART NO.	DIAMETER
250-183	3.5mm
250-184	4.0mm
250-185	5.0mm
250-186	6.5mm

### Aluminum Oxide Sleeves\*

Al<sub>2</sub>O<sub>3</sub>



PART NO.	DIAMETER	HEIGHT
250-371	3.5mm	7.0mm
250-471	4.0mm	7.0mm
250-571	5.0mm	7.0mm
250-101	5.0mm	10.0mm

\*Packaged with corresponding transfer die.

## BREVIS™ ABUTMENTS\*



2.0mm Post

PART NO.	HEIGHT	ANGLE
100-404	2.0mm	0°
100-405	2.0mm	15°
100-406	4.0mm	0°
100-407	4.0mm	15°
100-408	6.0mm	0°
100-409	6.0mm	15°



2.5mm Post

250-424	2.0mm	0°
250-425	2.0mm	15°
250-426	4.0mm	0°
250-427	4.0mm	15°
250-428	6.0mm	0°
250-429	6.0mm	15°

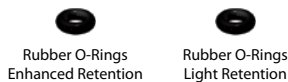


3.0mm Post

300-434	2.0mm	0°
300-435	2.0mm	15°
300-436	4.0mm	0°
300-437	4.0mm	15°
300-438	6.0mm	0°
300-439	6.0mm	15°

\*Each abutment is packaged with one titanium Brevis housing with o-ring.

## BREVIS™ ABUTMENT COMPONENTS



PART NO.	DESCRIPTION
100-013	O-Rings - Enhanced (10)
100-014	O-Rings - Light (10)



100-212	Housing
100-217	Impression Kit with Housing
100-218	Impression Kit without Housing

## LOCATOR® ABUTMENTS\* Δ



2.0mm Post

PART NO.	DIAMETER	HEIGHT
200-501	4.0mm	1.0mm
200-502	4.0mm	2.0mm
200-503	4.0mm	3.0mm
200-504	4.0mm	4.0mm
200-505	4.0mm	5.0mm



3.0mm Post

300-501	4.0mm	1.0mm
300-502	4.0mm	2.0mm
300-503	4.0mm	3.0mm
300-504	4.0mm	4.0mm
300-505	4.0mm	5.0mm

\*Each Locator® abutment is packaged with a male processing kit. Locator® Abutments are not available with a 2.5mm Post.

ΔThe use of a sulcus reamer may be necessary prior to the seating of a Locator Abutment.

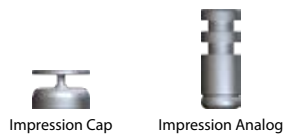
## LOCATOR® ABUTMENT COMPONENTS



PART NO.	DESCRIPTION
100-519	Male Processing Kit (2)



100-521	Extended Range Green Cap (4)
100-525	Extended Range Orange Cap (4)
100-526	Extended Range Red Cap (4)



100-524	Impression Kit
---------	----------------



101-839	Locator Core Tool
---------	-------------------

## FIXED-DETACHABLE ABUTMENTS\*



2.0mm Post

PART NO.	DIAMETER	HEIGHT	ANGLE
100-003	4.0mm	3.0mm	0°
100-015	4.0mm	3.0mm	15°
100-004	4.0mm	5.0mm	0°
100-115	4.0mm	5.0mm	15°



2.5mm Post

250-213	4.0mm	3.0mm	0°
250-215	4.0mm	3.0mm	15°
250-214	4.0mm	5.0mm	0°
250-255	4.0mm	5.0mm	15°



3.0mm Post

300-003	4.0mm	3.0mm	0°
300-015	4.0mm	3.0mm	15°
300-004	4.0mm	5.0mm	0°
300-115	4.0mm	5.0mm	15°

## FIXED-DETACHABLE COMPONENTS\*



PART NO.	DESCRIPTION
100-005	Plastic Coping (4)
100-019	Titanium Coping (4)
100-006	Titanium Analog (4)



100-016	5.0mm Hex Coping Screws (4)
100-017	10.0mm Hex Coping Screws (4)
100-020	Hex Retention Screws (4)
100-021	Hex Cover Screws (4)



101-024	Hex Screwdriver
---------	-----------------

\*For screw retained and cast bar restorations.

## LABORATORY ABUTMENTS\*



2.0mm Post

PART NO.	DIAMETER	HEIGHT	ANGLE
740-610	4.0mm	4.0mm	0°
740-615	4.0mm	4.0mm	15°



2.5mm Post

550-600	5.0mm	3.0mm	0°
550-605	5.0mm	3.0mm	15°
550-610	5.0mm	4.0mm	0°
550-615	5.0mm	4.0mm	15°
550-620	5.0mm	5.0mm	0°
550-625	5.0mm	5.0mm	15°

565-600	6.5mm	3.0mm	0°
565-605	6.5mm	3.0mm	15°
565-610	6.5mm	4.0mm	0°
565-615	6.5mm	4.0mm	15°



3.0mm Post

650-600	5.0mm	3.0mm	0°
650-605	5.0mm	3.0mm	15°
650-610	5.0mm	4.0mm	0°
650-615	5.0mm	4.0mm	15°
650-620	5.0mm	5.0mm	0°
650-625	5.0mm	5.0mm	15°

665-600	6.5mm	3.0mm	0°
665-605	6.5mm	3.0mm	15°
665-610	6.5mm	4.0mm	0°
665-615	6.5mm	4.0mm	15°

\*Designed for the laboratory to customize abutment for IAC or PFM restorations.

## STEALTH TRANSITIONAL IMPLANTS\*



8.0mm



12.0mm



Straight Driver

PART NO.	DIAMETER	HEIGHT
425-108	2.5mm*	8.0mm
425-112	2.5mm*	12.0mm

101-905 Stealth Latch Driver

\*Packaged with two 4.0mm stealth sleeves.

## DRILL UNIT AND HANDPIECES



PART NO.	DESCRIPTION
028-150	Electric Drill System
028-425	Motor for Drill Unit



20:1 High Torque Handpiece



20:1 Low Torque Handpiece



400:1 Handpiece

028-201	20:1 High Torque Handpiece
028-202	20:1 Low Torque Handpiece
028-401	400:1 Handpiece



20k RPM Air Motor



Contra-Angle Handpiece Head

024-120	20k RPM Air Motor
028-405	Contra-Angle Handpiece Head

## BREVIS™ TRANSITIONAL IMPLANTS\*



8.0mm



12.0mm



Straight Driver

PART NO.	DIAMETER	HEIGHT
425-208	2.5mm	8.0mm
425-212	2.5mm	12.0mm

101-902 Brevis Latch Driver

\*Brevis housing sold separately.

## SURGICAL AND RESTORATIVE KITS



Introductory Surgical Kit



Comprehensive Surgical Kit



Advanced Surgical Kit



Restorative Kit

PART NO.	DESCRIPTION
101-057	Introductory
101-098	Comprehensive
101-095	Advanced
101-096	Restorative

## INSTRUMENTATION TRAYS



Advanced



Comprehensive



Restorative

PART NO.	DESCRIPTION
104-993	Advanced
104-994	Comprehensive
104-996	Restorative

## STANDARD LATCH REAMERS (Ti6Al4V)



PART NO.	DESCRIPTION
101-125	2.5mm
101-130	3.0mm
101-135	3.5mm
101-140	4.0mm
101-645	4.5mm
101-650	5.0mm
101-655	5.5mm
101-660	6.0mm
101-120	Standard Latch Reamer Set

## EXTENDED LATCH REAMERS (Ti6Al4V)



101-325	2.5mm
101-330	3.0mm
101-335	3.5mm
101-340	4.0mm
101-345	4.5mm
101-350	5.0mm
101-355	5.5mm
101-360	6.0mm
101-121	Extended Latch Reamer Set

## HAND REAMERS (Ti6Al4V)



101-025	2.5mm
101-030	3.0mm
101-035	3.5mm
101-040	4.0mm
101-045	4.5mm
101-050	5.0mm
101-055	5.5mm
101-060	6.0mm
101-122	Hand Reamer Set <i>Includes straight handle, hand reamer extension, and reamer removal wrench</i>

## PILOT DRILLS (Stainless Steel)



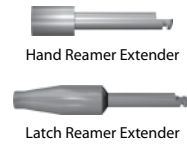
PART NO.	DESCRIPTION
101-001	2.0mm Standard
101-002	2.0mm Extended

## REAMER REMOVAL WRENCH



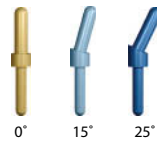
101-017	Removal Wrench
---------	----------------

## EXTENDERS



101-020	Hand Reamer
101-022	Latch Reamer

## PARALLELING PINS



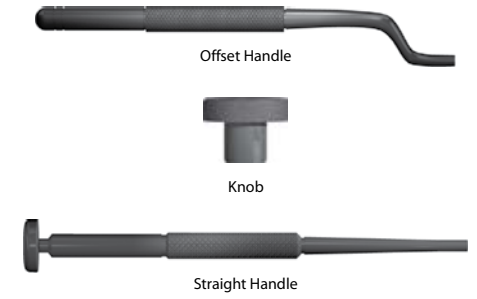
701-001	0°
701-053	15°
701-054	25°

## GAUGES



101-370	Double Ended Osteotomy Depth Gauge
101-380	Abutment Shoulder Depth Gauge

## THREADED COMPONENTS



PART NO.	DESCRIPTION
101-009	Offset Handle
101-014	Knob
101-016	Straight Handle

## SEATING TIPS

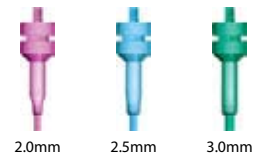


101-010	2.0mm
101-258	2.5mm
101-018	3.0mm



101-012	Standard
101-019	Large

## INSERTER AND RETRIEVER



101-005	2.0mm
101-007	2.5mm
101-006	3.0mm

## SULCUS REAMERS\*



101-435	3.5mm
101-440	4.0mm
101-450	5.0mm
101-465	6.5mm
101-475	7.5mm

\*Packaged with Guide Pins

## TISSUE PUNCHES\*



PART NO.	DESCRIPTION
101-535	3.5mm
101-540	4.0mm
101-550	5.0mm
101-565	6.5mm

\*Packaged with Guide Pins

## BONE EXPANDERS



901-430	3.0mm
901-435	3.5mm
901-440	4.0mm
901-445	4.5mm
901-450	5.0mm
901-455	5.5mm
901-460	6.0mm
101-123	Bone Expander Set

## OSTEOTOMES

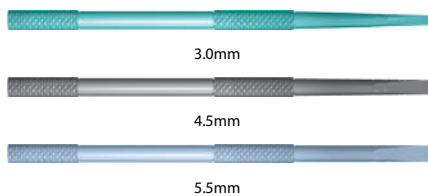


901-535	3.5mm
901-540	4.0mm
901-545	4.5mm
901-550	5.0mm
901-560	6.0mm
101-124	Osteotome Set

## EXPANDING CHISELS

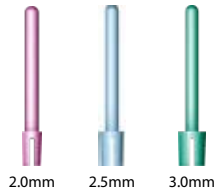


901-613	3.0mm
901-615	5.0mm
901-616	6.0mm



801-330	3.0mm
801-345	4.5mm
801-355	5.5mm

## GUIDE PINS



PART NO.	DESCRIPTION
101-180	2.0mm (4)
101-186	2.5mm (4)
101-183	3.0mm (4)

## TREPHINES

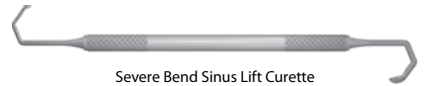


801-837	3.75mm (4.6mm OD)
801-840	4.25mm (5.2mm OD)
801-850	5.25mm (6.2mm OD)
801-860	6.0mm (6.95mm OD)
801-870	7.0mm (7.95mm OD)
801-880	8.0mm (8.95mm OD)
801-810	10.0mm (11.0mm OD)

## BONE GRAFTING INSTRUMENTATION



801-510	4.0mm Bone Graft Syringe
801-511	5.0mm Bone Graft Syringe



Severe Bend Sinus Lift Curette



Standard Bend Sinus Lift Curette



Antralplasty Elevator

801-515	Severe Bend
801-517	Standard Bend
801-518	Antralplasty Elevator



201-029	Sinus Lift Bur
---------	----------------

## CURETTES



Straight Curette



Angled Curette

801-520	Straight
801-522	Angled

## PERIOTOMES



Double-Ended Straight Periosteal Elevator



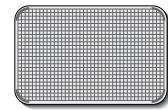
Double-Ended Offset Periosteal Elevator

PART NO.	DESCRIPTION
801-007	Double-Ended Straight
801-008	Double-Ended Offset



801-009	Periosteal Set
---------	----------------

## RADIOGRAPH GRID



103-002	30 x 42mm
---------	-----------

## MALLET



801-165	Mallet
---------	--------

## SILICONE DAPPEN DISH



103-030	Silicone Dappen Dish
---------	----------------------

## COTTON TIP APPLICATORS



2.0mm Cotton Tip Applicator (100)



3.0mm Cotton Tip Applicator (100)

103-027	2.0mm (100)
103-028	3.0mm (100)

## IMPLANT SPACING TEMPLATE



101-305	Implant Spacing Template
---------	--------------------------

## CROWN ALIGNMENT DEVICE



Crown Alignment Device      Crown Seating Tip

PART NO.	DESCRIPTION
101-315	Crown Alignment Device
101-015	Crown Seating Tip

## HYDROPLASTIC RESIN



103-031      Hydroplastic Resin (20g)

## SHADE ENHANCER



103-006      Bicon Shade Enhancer

## HEALING PLUG INSTRUMENTS



Healing Plug Cutter



Healing Plug Removal Instrument (Manual)



Healing Plug Removal Instrument (Latch)

801-001	Healing Plug Cutter
101-114	Removal Instrument (Manual)
101-115	Removal Instrument (Latch)

## ABUTMENT PREPARATION



Preparation Holder with Tips



2.0mm Tip



2.5mm Tip

101-395	Preparation Holder with tips
701-382	2.0mm Tip
701-385	2.5mm Tip

## BURS



PART NO.	DESCRIPTION
155-7RL	#1557 Bur (5)
201-011	11.0mm Cutting Bur
2RL-GW4	#4 Round Bur (5)

## ABUTMENT FORCEPS



Abutment Carrying Forceps



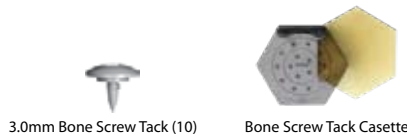
Abutment Removal Forceps (Upper)



Abutment Removal Forceps (Lower)

801-002	Carrying Forceps
801-050	Removal Forceps (Upper)
801-051	Removal Forceps (Lower)

## BONE SCREW TACK



3.0mm Bone Screw Tack (10)      Bone Screw Tack Cassette



Tack Seating Instrument

201-310	3.0mm Bone Screw Tack (10)
801-305	Bone Screw Tack Cassette
201-700	Tack Seating Instrument

## DENTURE DUPLICATOR



103-98F	Denture Duplicator
103-99K	Denture Duplicator Kit <i>Consists of denture duplicator, silicone spray and Ortho-Jet™.</i> <i>Available only in the USA via ground shipping.</i>

## TRINIA™ BLOCKS



PART NO.	DESCRIPTION
607-096	40 x 19 x 16mm for Cerec™
607-200	42 x 20 x 20mm for Cerec™
606-596	55 x 19 x 16mm for Kavo™
606-652	60 x 25 x 20mm for Kavo™

## TRINIA™ DISCS



609-814	98 x 14mm
609-816	98 x 16mm
609-818	98 x 18mm
609-820	98 x 20mm
609-822	98 x 22mm
609-825	98 x 25mm

## IAC™ COMPONENTS



Polishing Kit

Light Curing Booth

103-033	IAC Polishing Kit
499-110	IAC Light Curing Booth (110 volt)
499-220	IAC Light Curing Booth (multi voltage)
018-102	Bulb

## DEMONSTRATION MODELS



Foam Practice Model



Crown Model



Overdenture Model

102-104	Foam Practice Model
102-115	Crown Model
102-120	Overdenture Model



Abutment Replica

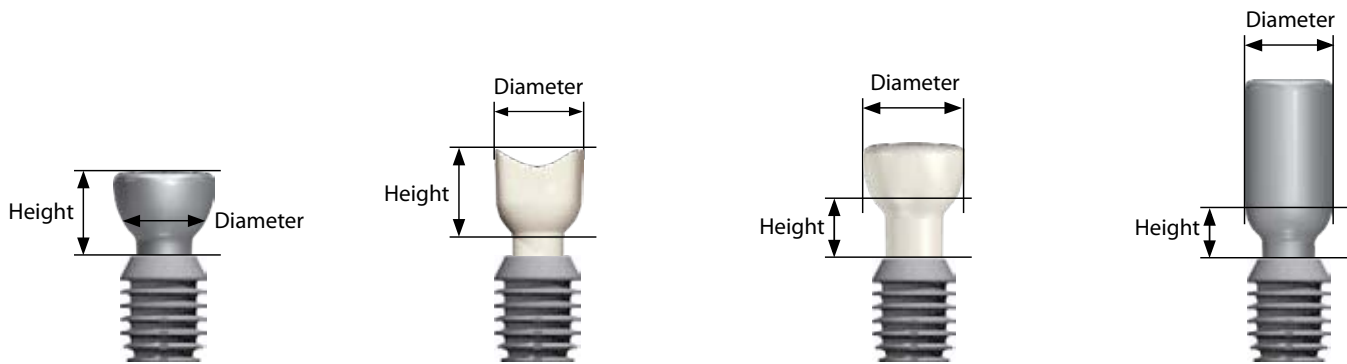
10x  
PLASTIC



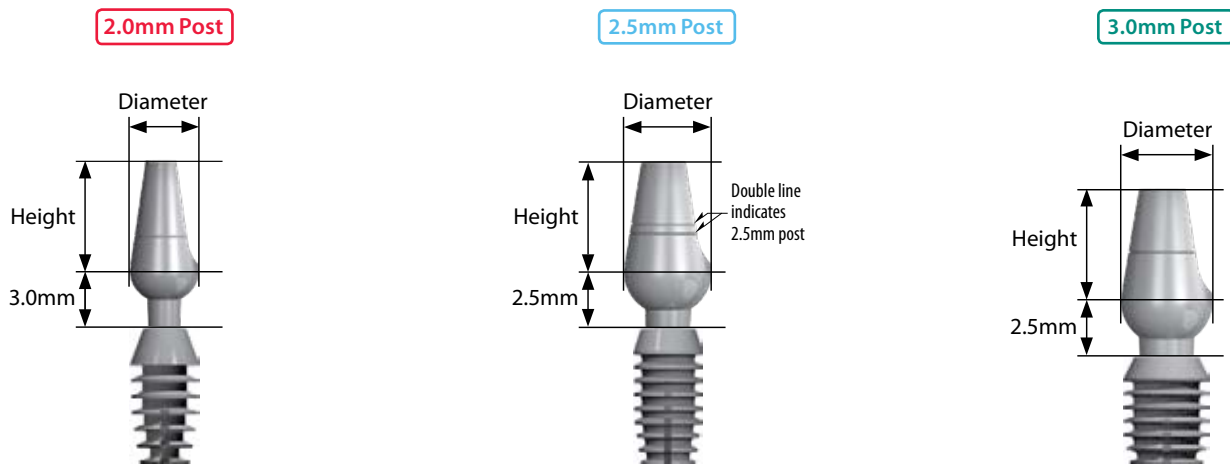
Implant Replica

102-501	Abutment Replica 5.0 x 6.5mm
102-508	Implant Replica 5.0 x 6.0mm

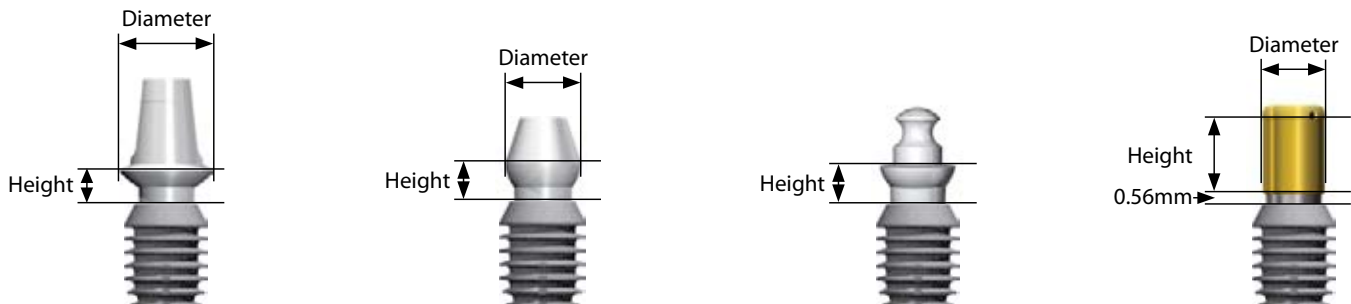
Temporary Abutment	Healing Abutment	Temporary Abutment Extended Post	Laboratory Abutment
--------------------	------------------	----------------------------------	---------------------



Non-Shouldered Abutment



Stealth Abutment	Fixed-Detachable Abutment	Brevis™ Abutment	Locator® Abutment
------------------	---------------------------	------------------	-------------------





## Policies and Procedures

### Placing Orders

Orders may be placed online at [www.bicon.com](http://www.bicon.com), by fax, or phone.  
**Online orders receive a 2% discount.**

**Bicon**  
501 Arborway  
Boston, MA 02130 U.S.A.

**Fax:** 800.28.BICON (282.4266) 617.524.0096

**Voice:** 800.88.BICON (882.4266) 617.524.4443

**E-Mail:** [support@bicon.com](mailto:support@bicon.com) **Web:** [www.bicon.com](http://www.bicon.com)

Office hours for customer service are from 8:00am-6:00pm Mon-Fri EST.  
Orders received by 5:00pm EST Mon-Fri will be processed and shipped the same day.

### Return Policy

Items returned within 30 days from the date of purchase are eligible for full credit.

Items returned between 31 and 90 days from the date of purchase are subject to a 15% restocking fee.

Items will not be accepted for credit or exchange after 90 days from the date of purchase.

Items must be in their original undamaged and unopened packaging with all seals intact.

Implants and abutments being returned for credit or exchange must have at least a two year shelf life remaining.

Expiring product is not a valid reason for returning or exchanging product.

Shipping charges for any return must be paid by the customer.

Individual items from a kit or previously exchanged items can not be returned for credit.

### Return Procedure

Call the Customer Service Department at 800.88.BICON to receive a Return Authorization Number (RA#). The granting of an RA# does not guarantee that the product will be accepted for return. All return policy conditions must be met for the return to be processed.

A copy of the corresponding invoice **must** be enclosed with the shipment.

Send all returns to: **Bicon Returns Department**  
501 Arborway  
Boston, MA 02130 U.S.A.

Items missing from package, or damaged due to improper packaging will not be given credit.

### Claims

Claims for short shipment must be made within 48 hours of receipt. ICC regulations require that claims for damaged merchandise be made with the carrier within 10 days of receipt. Do not accept damaged shipments unless such damage is noted on the Bill of Lading at the time of receipt. Bicon will not issue credit for shipping damages unless the above procedure is followed.





**bicon**<sup>®</sup>  
DENTAL IMPLANTS

**WORLD HEADQUARTERS**

501 Arborway  
Boston, MA 02130 USA

TEL 800.88.BICON ■ 617.524.4443

FAX 800.28.BICON ■ 617.524.0096

[www.bicon.com](http://www.bicon.com) ■ [support@bicon.com](mailto:support@bicon.com)