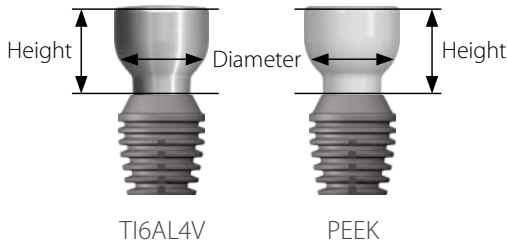
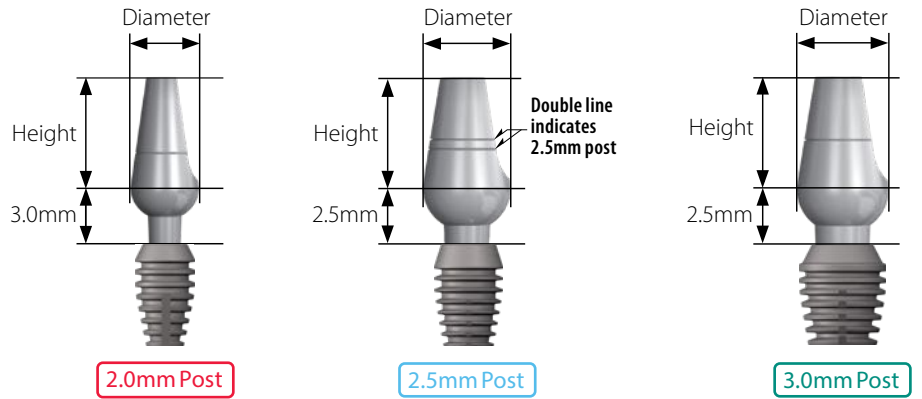


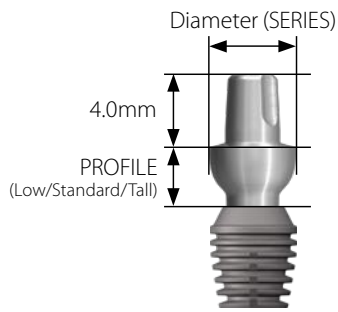
Healing Abutments



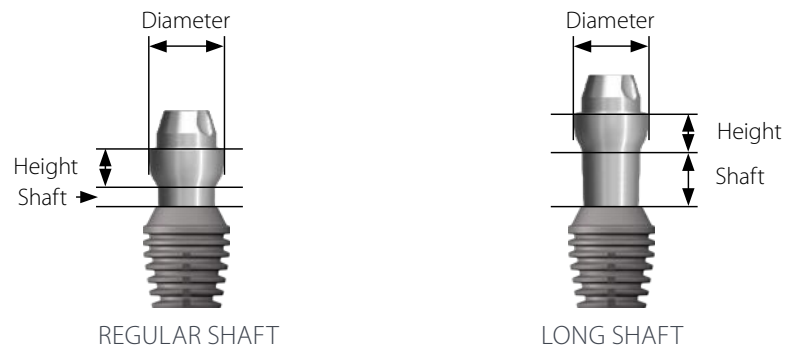
Non-Shouldered Abutments



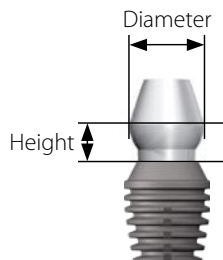
Universal Abutments



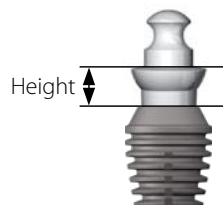
Universal Fixed-Detachable Abutments



Fixed-Detachable Abutments



Brevis Abutments



Overdenture Abutments

