

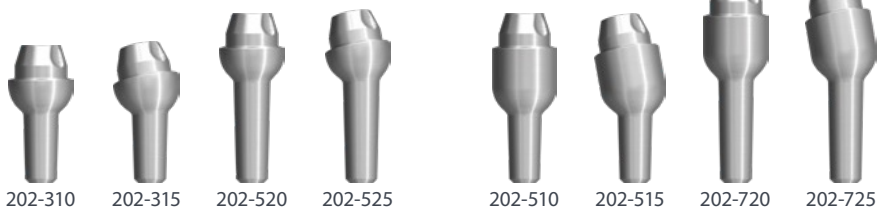


# FIXED-DETACHABLE UNIVERSAL ABUTMENTS



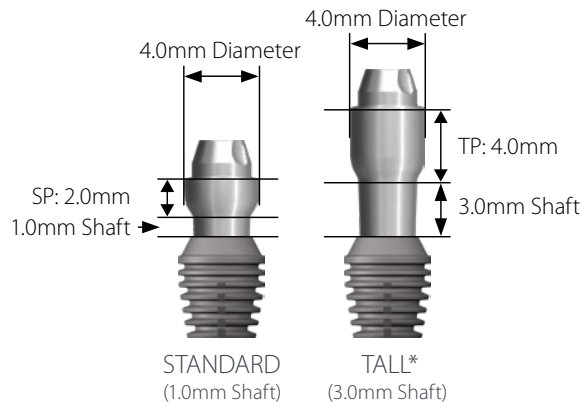
*"Passively fitting prosthetics with intra-orally  
cemented screw-retained copings."*

**2.0mm Post**

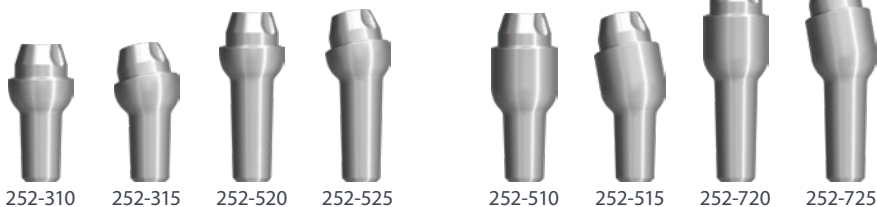


Part No.	Height	Shaft	Angle
202-310	SP (2.0mm)	Standard	0°
202-315	SP (2.0mm)	Standard	15°
202-520	SP (2.0mm)	Tall*	0°
202-525	SP (2.0mm)	Tall*	15°

Part No.	Height	Shaft	Angle
202-510	TP (4.0mm)	Standard	0°
202-515	TP (4.0mm)	Standard	15°
202-720	TP (4.0mm)	Tall*	0°
202-725	TP (4.0mm)	Tall*	15°



**2.5mm Post**



Part No.	Height	Shaft	Angle
252-310	SP (2.0mm)	Standard	0°
252-315	SP (2.0mm)	Standard	15°
252-520	SP (2.0mm)	Tall*	0°
252-525	SP (2.0mm)	Tall*	15°

Part No.	Height	Shaft	Angle
252-510	TP (4.0mm)	Standard	0°
252-515	TP (4.0mm)	Standard	15°
252-720	TP (4.0mm)	Tall*	0°
252-725	TP (4.0mm)	Tall*	15°

**3.0mm Post**



Part No.	Height	Shaft	Angle
302-310	SP (2.0mm)	Standard	0°
302-315	SP (2.0mm)	Standard	15°
302-520	SP (2.0mm)	Tall*	0°
302-525	SP (2.0mm)	Tall*	15°

Part No.	Height	Shaft	Angle
302-510	TP (4.0mm)	Standard	0°
302-515	TP (4.0mm)	Standard	15°
302-720	TP (4.0mm)	Tall*	0°
302-725	TP (4.0mm)	Tall*	15°

**Highlights**

Bicon's Fixed-Detachable Universal Abutments provide for passively fitting prosthetics with intra-orally cemented screw-retained copings.

- Ensure passively-fitting substructures with screw-retained copings that are cemented into a TRINIA® prosthesis
- Fabricate passive screw-retained prostheses using a variety of materials including TRINIA® and PMMA
- A variety of heights and angles are offered to accommodate various implant placement depths and soft tissue heights

**\*PROFILE LEGEND**

SP: Standard Profile = 2.0mm  
TP: Tall Profile = 4.0mm

**Fixed-Detachable Universal Abutment Components**



100-135  
Transfer Coping (2)



100-130  
Standard Analog (2)



100-140  
Final Coping (2)



100-640  
Scan Body (2)  
*(Depicted on abutment)*



100-049  
Digital Abutment Analog and Cap



100-020 Hex Retention Screws (4)  
100-016 5.0mm Hex Coping Screws (4)  
100-017 10mm Hex Coping Screws (4)

\*Tall shafts are 2.0mm taller than standard shafts and are helpful for deeply-positioned implants.

**NOTE:** All part numbers begin with the prefix "260-"